



# FLAIR



# CE



# IP-54

Nr./No.:98-1-319-0  
Nr./No.:98-1-377-0

# IMMERSIBLE PUMPS



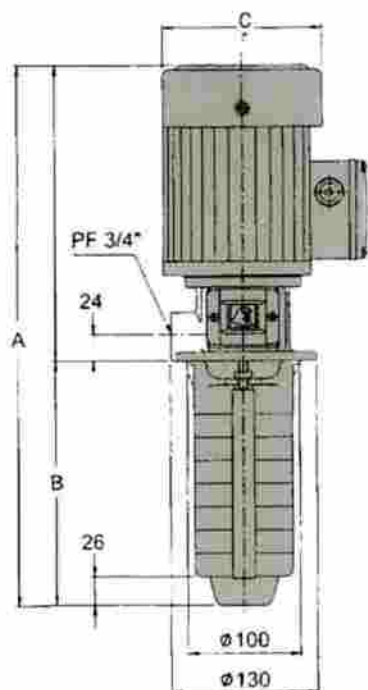
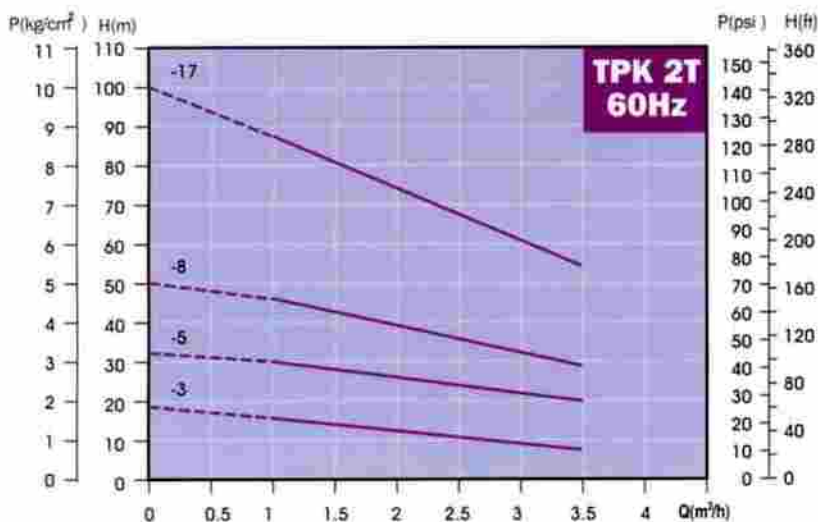
Stop running without water  
禁止無水運轉

|   |          |          |          |
|---|----------|----------|----------|
| FLAIR IMMERSIBLE PUMP   |          |          |          |
| INPUT   | 1/2 HP   | RATING   | 50       |
| CYCLE   | 50/60HZ  | PHASE    | 3        |
| VOLT  | LOW/HIGH | CLASS    | F        |
| A.M.P.  | 0.8/0.5  | 200-240V | 300-440V |
| POLE  | 2        | 10 15 15 | 15 15 15 |
| MODEL   | MC-213-3 | 15 15 15 | 15 15 15 |
| SERIES DATE   | 0409     | 15 15 15 | 15 15 15 |
| TAIWAN CHANG STEEL ELECTRONIC & MACHINE TOOLS CO., LTD.<br>NO. 30, SHANGHAI ROAD, HSIALL TACHANG, HSIEN, TAIWAN |          |          |          |

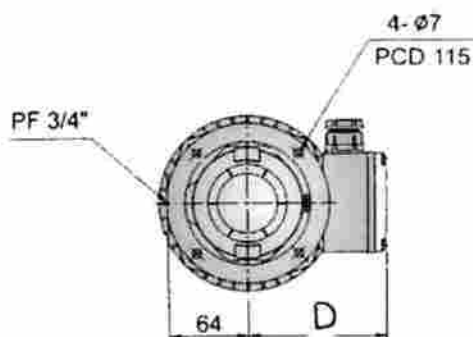
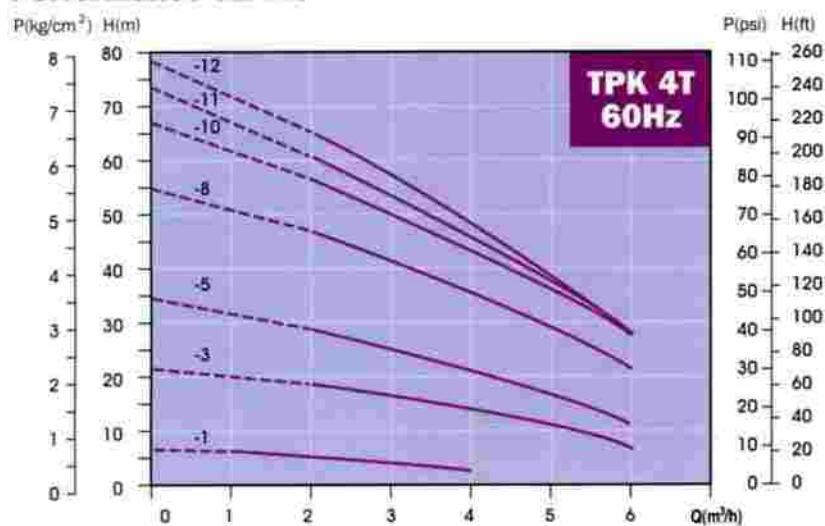
**STRONG! QUIET!  
SMOOTH RUNNING**

ALL SERIES ARE BACKED BY SGS ISO-9001 QUALITY ASSURANCE CERTIFICATION.

## Performance curves



## Performance curves



unit:mm

| MODEL NO. | INPUT POWER(W) | OUTPUT (L/min) | PRESSURE VALUE (kg/cm <sup>2</sup> ) | DISCHARGE BORE | A   | B   | C   | D   | N.W. (kg) |
|-----------|----------------|----------------|--------------------------------------|----------------|-----|-----|-----|-----|-----------|
| MC-2T3-3  | 250            | 33.3           | 1.2                                  | 3/4" PF        | 438 | 180 | 123 | 111 | 12.1      |
| MC-2T5-5  | 470            | 33.3           | 2.6                                  | 3/4" PF        | 490 | 222 | 142 | 111 | 13.8      |
| MC-2T8-8  | 570            | 33.3           | 3.8                                  | 3/4" PF        | 593 | 285 | 142 | 111 | 15.8      |
| MC-4T3-3  | 540            | 66.6           | 1.4                                  | 3/4" PF        | 448 | 268 | 142 | 111 | 11.8      |
| MC-4T5-5  | 840            | 66.6           | 2.1                                  | 3/4" PF        | 490 | 268 | 142 | 111 | 12.1      |
| MC-4T8-8  | 1110           | 66.6           | 3.6                                  | 3/4" PF        | 593 | 308 | 142 | 111 | 13.8      |



CHANG IRON GROUP

**FLAIR INDUSTRY ACCESSORY CO., LTD.**

NO. 36, SAN FENG RD., HOULI, TAICHUNG HSIEN, TAIWAN.

TEL: 886-4-25579380

FAX: 886-4-25579381

E-MAIL: hay@chang-iron-group.com

http:// www.chang-iron-group.com

Distributed by :